

### Features

0.6" digit height (Digital)  
High segment intensity  
Range of colours  
Multiplexing capability  
ROHS Compliant

### Options

Black or Grey face colour  
Colored segments  
Copper terminal pins  
Long terminal pins  
Low current version



### Electro Optical Characteristics $I_F = 20\text{mA}$ ( $T_A = 25^\circ\text{C}$ )

| Part Number    |              | Emitting Colour          | Wavelength<br>Peak $\lambda_P$ (nm) | Forward voltage $V_F$ (V) |     |
|----------------|--------------|--------------------------|-------------------------------------|---------------------------|-----|
| Common Cathode | Common Anode |                          |                                     | Typical                   | Max |
| 060R1B SB      | 060R1A SB    | Superbright Blue         | 460                                 | 2.9                       | 3.2 |
| 060R1B UB      | 060R1A UB    | Ultrabright Blue         | 460                                 | 2.9                       | 3.2 |
| 060R1B SG      | 060R1A SG    | Superbright Pure Green   | 530                                 | 3.0                       | 3.4 |
| 060R1B UG      | 060R1A UG    | Ultrabright Pure Green   | 530                                 | 3.0                       | 3.4 |
| 060R1B UYG     | 060R1A UYG   | Superbright Yellow Green | 560                                 | 2.0                       | 2.2 |
| 060R1B UOR     | 060R1A UOR   | Ultrabright Amber        | 610                                 | 1.9                       | 2.2 |
| 060R1B UY      | 060R1A UY    | Ultrabright Yellow       | 590                                 | 1.9                       | 2.1 |
| 060R1B SR      | 060R1A SR    | Superbright Red          | 650                                 | 1.9                       | 2.1 |
| 060R1B UR      | 060R1A UR    | Ultrabright Red          | 660                                 | 1.9                       | 2.1 |

### Absolute Maximum Ratings $T_a=25^\circ\text{C}$

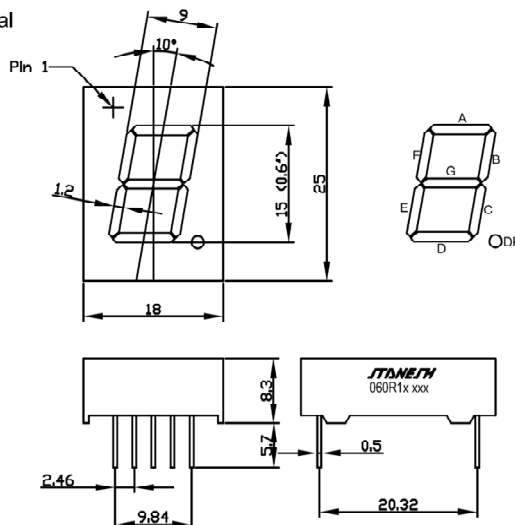
| Characteristic                          | Symbol    | Rating     | Unit             |
|---|-----------|------------|------------------|
| DC forward current                      | $I_F$     | 20         | mA               |
| Reverse Voltage                         | $V_R$     | 5          | V                |
| Operating Temperature                   | $T_{opr}$ | -25 to +80 | $^\circ\text{C}$ |
| Storage Temperature                     | $T_{stg}$ | -30 to +85 | $^\circ\text{C}$ |
| Lead Soldering Temperature <sup>1</sup> | -         | 260        | $^\circ\text{C}$ |

<sup>1</sup> 1.6mm from body – max 3 seconds

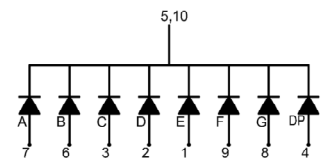
### Product Diagram (All dimensions are in mm)

#### 060R1x xxx

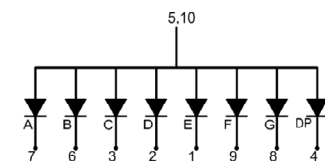
0.6" digital



060R1B xxx  
Common  
cathode



060R1A xxx  
Common  
anode



\*Specifications may change due to new materials or product improvement